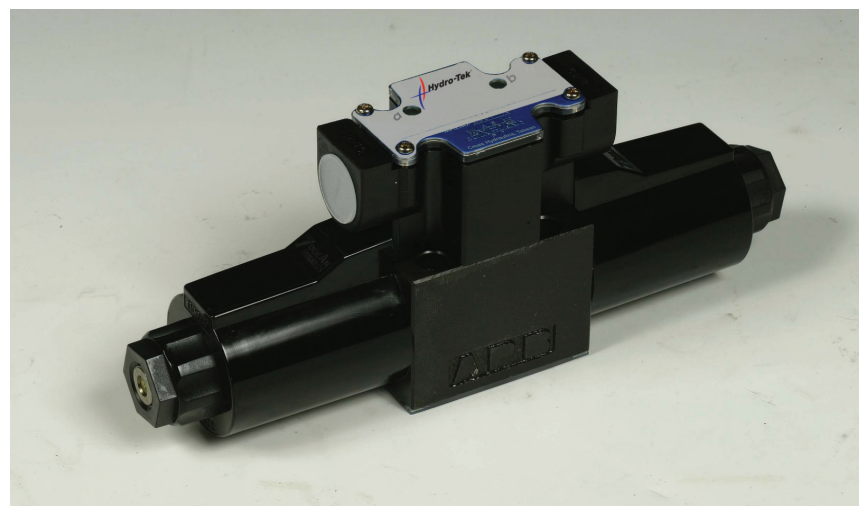




SOLENOID OPERATED DIRECTIONAL VALVE



HOW TO ORDER

SERIES CODE	VALVE SIZE	POSITIONS	DIAGRAM	VOLTAGE	TYPE
DV	01 : CETOP 3 03 : CETOP 5	2 : 2positions 3 : 3positions	※	1 : DC 12V 2 : DC 24V 3 : AC 110V 4 : AC 220V	N : DIN TYPE O : ISO TYPE

※

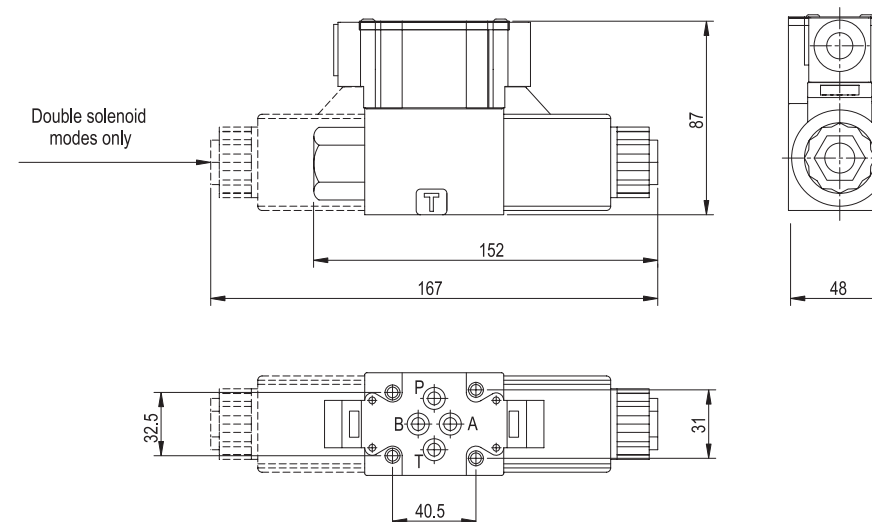
DIAGRAM	A	P	C	O	T
3 POSITIONS					
2 POSITIONS					

SPECIFICATIONS

VOLTAGE (V)	FREQUENCY (Hz)	RANGE	VALVE SIZE	PRESSURE (kgf / cm ² (Max.))	FLOW (L / min (Max.))
AC110V	60	99 ~ 121	CETOP 3	350	63
AC220V		198 ~ 242	CETOP 5	350	100
DC12	/	10.8 ~ 13.2			
DC24		21.6 ~ 26.4			

DIMENSIONS

■ DV-01-*****



■ DV-03-*****

