



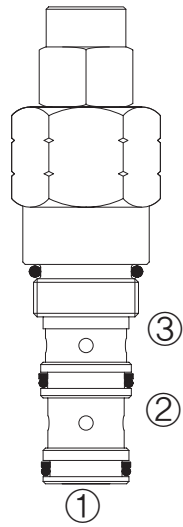
HSQV

SEQUENCE VAVLE

SEQUENCE VAVLE



HSQV



DESCRIPTION

For use on Dock Leveler where pressure is to be maintained regardless of drop in system pressure.

OPERATION

In its steady state, the valve blocks flow at ①, while allowing flow to pass from ② to ③.

On attainment of a pre-determined pressure at ①, the cartridge shifts to open ① to ②.

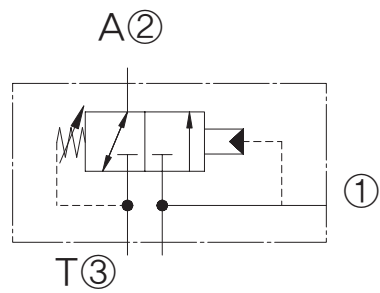
FEATURES

- Ⓐ Adjustments cannot be backed out of the valve.
- Ⓑ Adjustments prohibit spring from going solid.
- Ⓒ Hardened spool and cage for long life.
- Ⓓ Compact size.

RATINGS

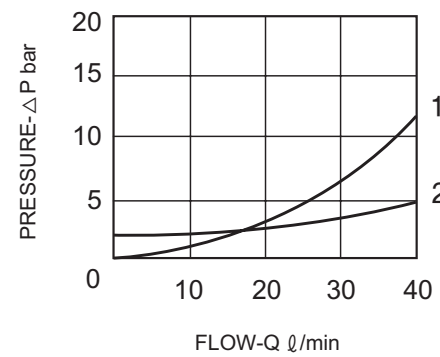
- Max Pressure : 315 bar
- Max Flow : 40 l/min
- Max Tightening Torque : 50 Nm

SYMBOL

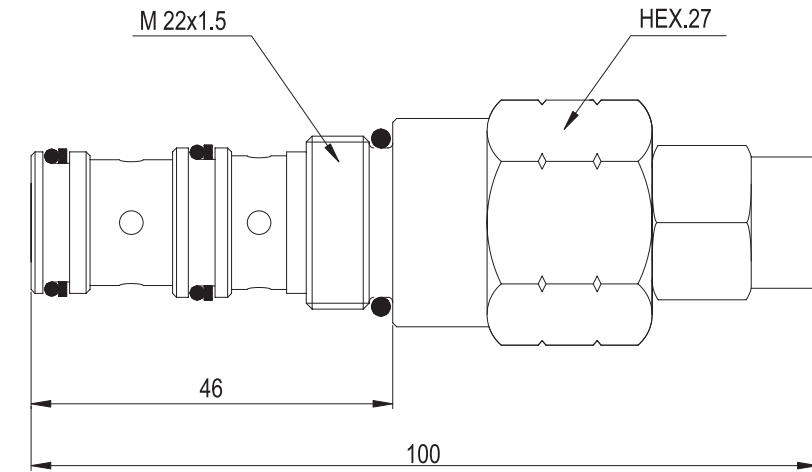


PERFORMANCE

- 1 : Flow from ① ↔ ②
- 1 : Flow from ② ↔ ①



DIMENSIONS



CAVITY

