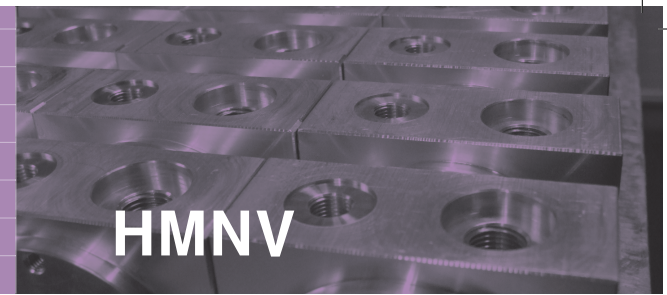




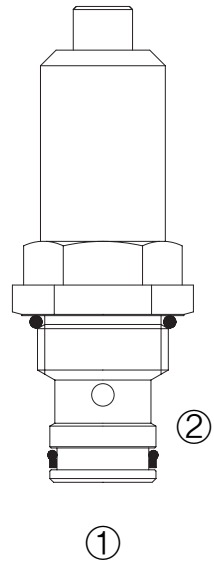
HMNV

MANUAL VALVE

MANUAL VALVE



HMNV



DESCRIPTION

A cam-operated, two-way, normally-closed poppet-type directional valve

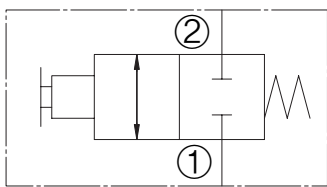
OPERATION

The valve blocks flow in the ② to ① flow path until cam force is supplied sufficient to overcome the spring bias load force.

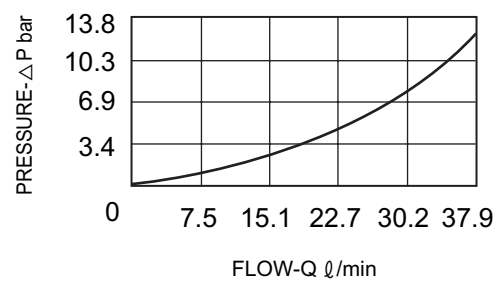
FEATURES

- Ⓐ Hardened seat and poppet for long life.
- Ⓑ Stainless steel cam button.

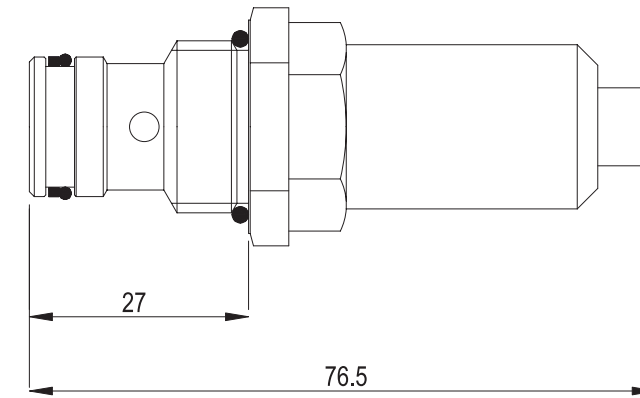
SYMBOL



PERFORMANCE



DIMENSIONS



CAVITY

